

# MS 200 Normal Type Bedhead Unit



When it comes to striking the right balance between clinical efficiency and relaxing decor, MedSistem MS series solutions make it easy to integrate state-of-the-art technology with soothing interiors.

Our company manufactures user-friendly patient-care units, which can be used by hospitals for years without any problems, in accordance with the standards and keeping human health in the foreground with its know-how and experience.

MedSistem MS 200 Normal Type Bedhead Unit is designed to be used easily and practically by health personnel and has developable features. Cleaning and maintenance is easy. In line with your hospital's general architectural structure, tailor-made in the direction of your special requests and expectations are produced.

The MedSistem MS 200 Normal Type Bedhead Unit is manufactured in accordance with the requirements of the International Standard ISO 13485 Medical and Medical Devices Standard and EN 11197 European Standard together with high quality material, fine workmanship. While Patient Units are manufactured, they are subjected to electrical tests according to EN 60601-1 Standard and maximum security is ensured.

MS 200 Bedhead Unit are available for single, double and triple bed capacities. It can be manufactured as a single piece up to a maximum length of 6 meters.

MedSistem MS 200 Normal Type Bedhead Unit can be painted in any color with the color options in RAL code as appropriate.

MedSistem MS 200 Normal Type Bedhead Unit can integrate low voltage communication systems like DATA and Nurse Call Systems in accordance with your special requirements as a necessity of today. Thus, the unit usage option is increasing.

#### • ELECTRICAL SOCKETS

Electrical sockets on the bedhead units can be customized according to your Customer request in different standards, Schuko, BS, French, US. Bedhead Units are individually tested according to EN ISO 60601-1 standard.

#### • LIGHTING

General (Indirect) light illumination for general ambient lighting. Reading (Direct) light illumination for reading. Alternative plexiglass options: transparent, whitish.

#### • GAS OUTLETS

BS, DIN, and AFNOR standards gas outlets can be used in line with customer requirements.

#### • QUALITY

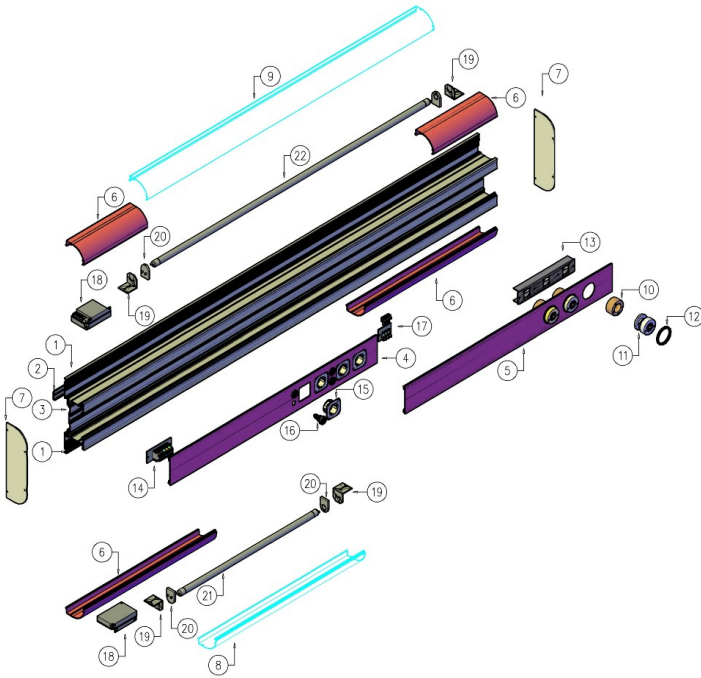
Thanks to the ISO 9001 and ISO 13485 Quality Systems that MedSistem applies, we aim to provide a better service to our valued customers in every way and we are making product development studies accordingly.



CE1984

# MS 200 NORMAL TYPE BEDHEAD UNIT

## Characteristics



- |   |   |
|---|---|
| 01 - Lighting Department                          | 12 - Gas Socket Mounting Ring               |
| 02 - Suspended Rail                               | 13 - Gas Outlets Jigplate                   |
| 03 - Main Body (for Electricity and Gas Services) | 14 - Electrical Connection Terminal Input   |
| 04 - Electrical Service Cover                     | 15 - Electrical Sockets                     |
| 05 - Gas Service Cover                            | 16 - Grounding Node                         |
| 06 - Aluminum Lighting Cover                      | 17 - Modular Electrical Connection Terminal |
| 07 - Side Covers                                  | 18 - Electronic Ballast                     |
| 08 - Reading (Bottom) Lighting Plexiglass Cover   | 19 - Fluorescent Connector                  |
| 09 - General (Top Lighting) Plexiglass Cover      | 20 - Hearing                                |
| 10 - Gas Socket (Body)                            | 21 - Fluorescent (Lower) Reading Light      |
| 11 - Gas Outlet (Top Track)                       | 22 - Fluorescent (Upper) Lighting Light     |

### GENERAL LIGHTING

Fluorescent T5 and LED Lighting (4000K)  
 1 x 39 T5 Flouresan  
 2 x 39 T5 Flouresan

### READING LIGHTNING

Fluorescent T5 and LED Lighting (4000K)  
 1 x 24 T5 Flouresan  
 2 x 24 T5 Flouresan

### MEDICAL GAS OUTLETS

According to your requests BS, DIN, AFNOR and other international standards Medical Gas Outlets can be used on the unit. Installation of your gas outlets, which you supply in the direction of your demands, can also be done in the unit.



### ELECTRIC SOCKETS

According to your requests and requests of national or international standarts, various type of electric sockets can be used in MS Bedhead Units. In Europe and Turkey, Type C (CEE 7/16) standard and other international standards such as Type B (Nema 5-15), Type A (Nema 1-15), Type E (CEE 7/4), Type F (CE 7/4), Type G (BS 1363) can also be used. The installation of the electrical outlets that you supply in the direction of your demands can also be fixedto the MS Bedhead Units.



### COMPLIANCE WITH STANDARDS

MedSystem Pendant Units are manufactured according to international quality and safety standards. All Bedhead Units are already in compliance with the new European Safety standard EN ISO 11197. MedSystem products are 'CE' certified under the Medical Device Directive 93/42/EEC. Since the Bedhead Units contain only a gas outlet in the sense of critical material, the CE mark of the gas outlet manufacturer is valid.

### MEDSYSTEM QUALITY CERTIFICATE



Friendly, Flexible and Functional Solutions by MedSystem

MedSystem Medical and Technical Equipment Gas Systems Industry and Trade Limited Company.

Web : [www.medsystem.com.tr](http://www.medsystem.com.tr)  
 E-Mail : [info@medsystem.com.tr](mailto:info@medsystem.com.tr)

Serifali Mahallesi, Hattat Sokak  
 PK: 34775 No: 21 Medsystem İş Merkezi  
 Dudullu — Ümraniye  
 İSTANBUL / TÜRKİYE

Phone : +90 216 415 56 60 (pbx)  
 Fax : +90 216 415 32 24

[www.medsystem.com.tr](http://www.medsystem.com.tr)

MedSystem reserves the right to make changes without notice in design, specifications and models. The only warranty MedSystem makes is the Express written warranty extended on the sale or rental of its products.

© 2019 MedSystem, ALL RIGHTS RESERVED